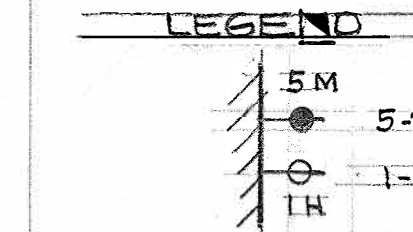
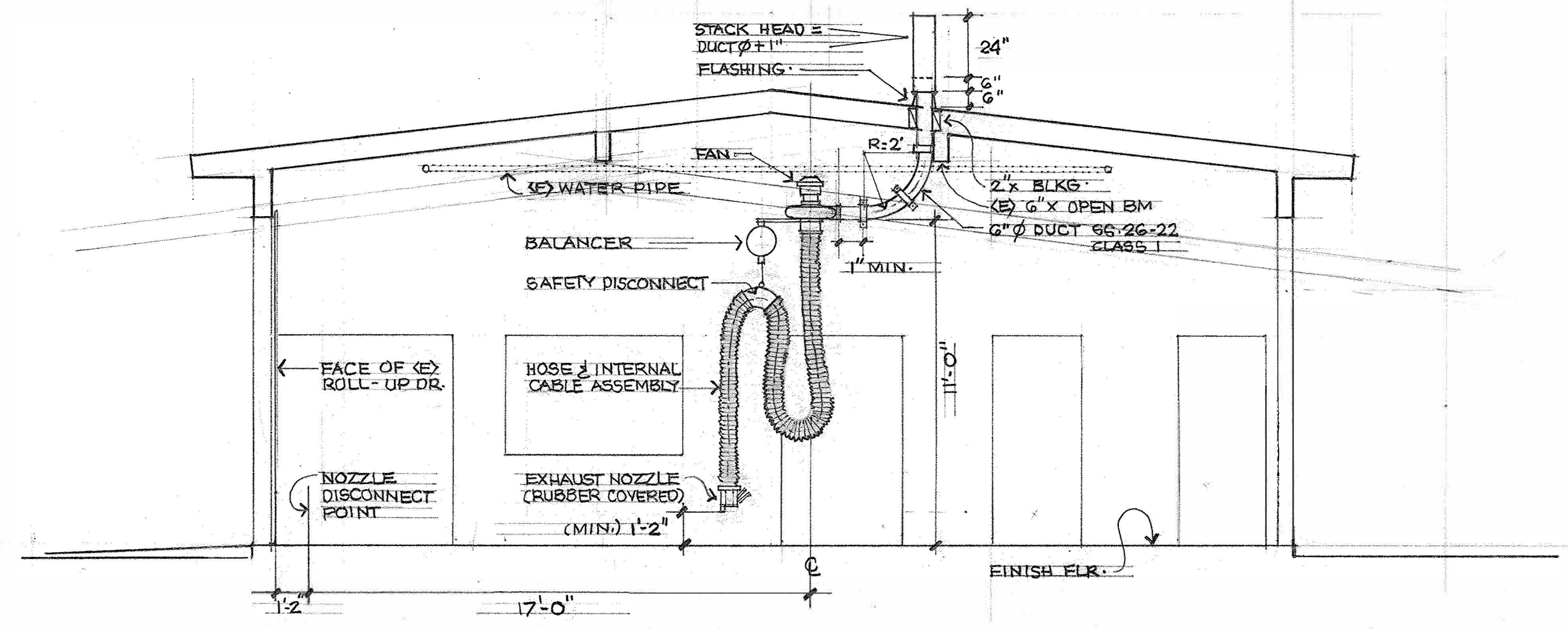


FLOOR PLAN
SCALE: 1/4"=1'-0"

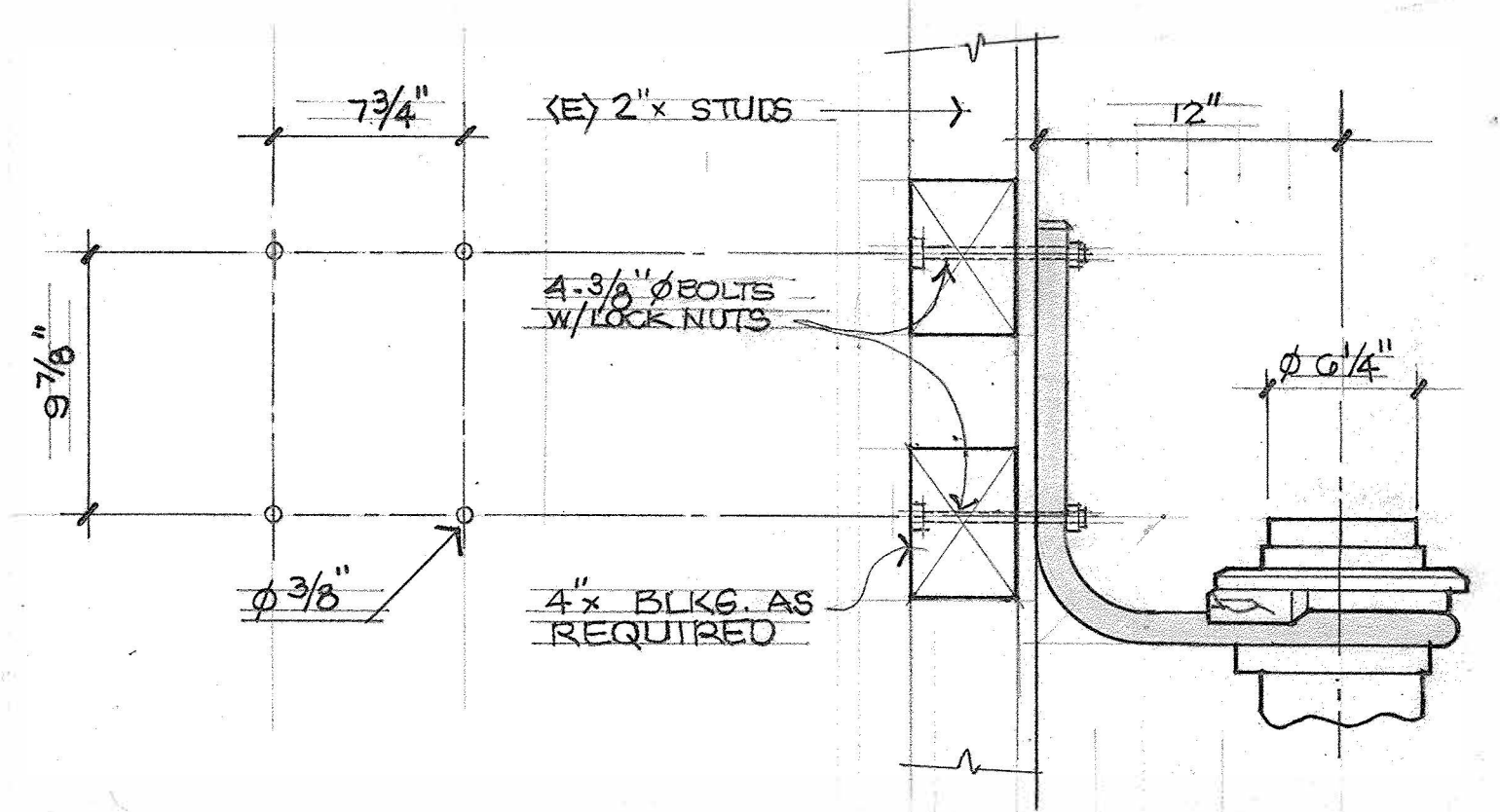


NOTES:

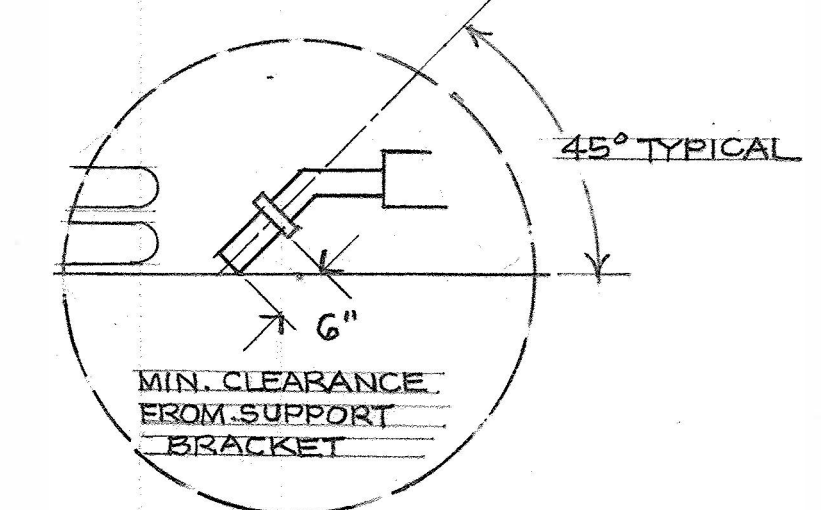
- VISIT THE SITE. EXAMINE THE EXISTING STRUCTURE. NOTE ALL CONDITIONS AS TO EXTEND OF WORK INVOLVED.
- ALL MATERIALS REMOVED UNDER THIS CONTRACT, WHICH IS NOT TO BE SALVAGED OR REUSED, SHALL BECOME THE PROPERTY OF THE CONTRACTOR AND SHALL BE PROMPTLY REMOVED FROM THE SITE. THE CONTRACTOR SHALL AT ALL TIMES USE MOVABLE DEBRIS BOXES, COVERED, TO CONVEY THE MATERIAL THROUGH THE BUILDING. DO NOT STORE OR PERMIT DEBRIS TO ACCUMULATE ON THE SITE.
- ALL WORK SHALL BE EXECUTED IN AN ORDERLY AND CAREFUL MANNER WITH DUE CONSIDERATION FOR ANY AND ALL SURROUNDING AREAS OR STRUCTURES WHICH ARE TO REMAIN.



SECTION A-A
SCALE: 1/4"=1'-0"



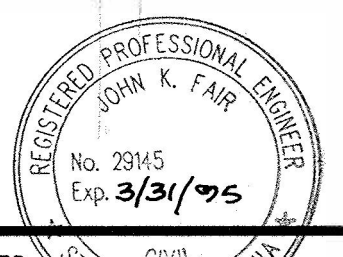
MTG BRACKET
(N.T.S.)



TAIL PIPE DET.
(N.T.S.)

TAIL PIPE CONFIGURATION MUST BE MODIFIED TO THE ABOVE. END OF TAIL PIPE MUST BE STRAIGHT. DO NOT CUT PIPE AT AN ANGLE. (BY OTHERS - SALINAS FIRE DEPT.)

SPECS	
SIMPLE SINGLE HOSE EXHAUST EXTRACTOR	
MOD. NO. 802663 w/6" x 24.5 FT. LONG HOSE, BALANCER, RUBBER NOZZLES, AND A DEVICE FOR AUTOMATIC DISCONNECTION.	
FAN:	
MOD. NO. 518 925	
CFM. 750	
MOTOR 115/230 V	
(60 HZ) 1-PHASE	
HP 1/2	
BY NEDERMAN INC.	
DISTRIBUTOR: BOB HARDY ENTERPRISES	



DEPARTMENT OF PUBLIC WORKS
CITY OF SALINAS
ENGINEERING DESIGN DIVISION

DESIGNED BY VIRGIL AMPON
DRAWN BY VIRGIL AMPON
CHECKED BY ARTURO A. ADLAWAN
PUBLIC WORKS NO.

APPROVED [Signature]
CITY ENGINEER - P. E.
LIC. NO. 29146
DATE 12/11/92
EXPIRES 3-31-95

DATE	REVISIONS	APP.

REVIEWED [Signature] FOR [Signature]
DATE 12/10/92
FIRE CHIEF

NO. 10 W. LAUREL DR., SALINAS. APN 00332314
FIRE STATION NO. 2
CITY OF SALINAS
EXHAUST EXTRACTOR

AIR EXCHANGE, INC.
The Clean Air Specialists

495-A Edison Ct.
Fairfield, CA 94534

DIR# 1000011166
CA Contractors Lic. 664135

Phone: 800-300-2945
Email: ckoss@airexchange.com

Proposal submitted to: Salinas 2	Phone: 831-758-7260	Date: 3/4/2026
Street: 10 W. Laurel Dr.	Application Engineer: Chris Koss	
City, State and Zip Code: Salinas, CA 93907	Job Location: Same	
Customer Representative: Estefania Vargas	Title:	Cell:

Thank you for allowing Air Exchange, Inc. the opportunity to provide the following quotation to you.

SCOPE OF WORK: Plymovent Diesel Exhaust Removal System.
Replace Nederman Hoses with Plymovent Hose Assemblies.

Two (2)	4" x 20' Hose Assemblies.	\$ 8,286.00
Lot	Installation Materials.	\$ 284.00

	Materials:	\$ 8,570.00
	(Est.) Shipping & Handling:	\$ 500.00
	Lifts:	N/A
	9.25% Sales Tax:	\$ 838.98
	(2) Tailpipes:	\$ 420.00
	Electrical:	N/A
	Labor:	\$ 1,586.00
	TOTAL:	\$ 11,914.98

Notes:

Terms and Conditions are attached.
Sales tax based on current rates. Actual rates in effect at billing.
Freight will be pre-paid and freight bills will accompany invoice.
Existing Control Panel/Auto Start System to remain in place.

Delivery of system will be within 12 weeks of proposal acceptance.

Payment to be made as follows: Equipment due net 30 after delivery, balance due net 30 after completion.

All material is guaranteed to be as specified. All work to be completed in a workmanlike manner according to standard practices. Any alteration or deviation from above specifications involving extra costs will be executed only upon written orders, and will become an extra charge over and above the estimate. All agreements contingent upon strikes, accidents or delays beyond our control. Owner to carry fire, tornado, and other necessary insurance. Our workers are fully covered by Workman's compensation Insurance.

Authorized Signature:

Chris Koss

Note: This proposal may be with-drawn by us if not accepted within 45 days.

ACCEPTANCE OF PROPOSAL and TERMS AND CONDITIONS. (Pages 1 and 2, inclusively.) The above prices, specifications and Terms and Conditions are satisfactory and are hereby accepted. You are authorized to do the work as specified. By signing where indicated, you, as agent for the organization proposed, hereby authorized Air Exchange, Inc. to perform the work as specified on Page 1 of 2 of this proposal and agree and accept the Terms and Conditions (Page 2 of 2) of this proposal. Payment will be made as outlined above.

SIGNATURE: _____

DATE OF ACCEPTANCE: _____

TERMS AND CONDITIONS

AIR EXCHANGE, INC.

495-A Edison Ct.
Fairfield, CA 94534

DIR# 1000011166
CA Contractors Lic. 664135

Phone: 800-300-2945 *Page 2 of 2*
Email: ckoss@airexchange.com

PROJECT PROPOSED: Salinas 2 - Plymovent System

EXCLUSIONS TO THE PROJECT PROPOSED:

1. Permits and fees of any kind are not included in this proposal; including but not limited to, any pertinent load calculations; technical drawings, submittals, shop drawings and permit drawings of any kind. Should any of these items be required, a separate quote will be required.
2. Outside services, not limited to but including, concrete work, exterior penetrations, fork or scissor lift rentals, etc. are not included, unless indicated on Page 1 of 2 of the proposal.
3. All work to be performed during normal business hours (M-F, 7:30 a.m. to 4:00 p.m.). Work done outside of normal business hours will be subject to additional charges (i.e., time and one-half, double time, etc.) unless indicated on Page 1 of 2 of the proposal.
4. Payments terms are noted on the proposal. Should you require different terms than noted, an addendum to this contract will need to be fully executed before revised terms will be accepted.
5. Freight is not included, unless indicated on Page 1 of 2 of the proposal. Please provide preferred carrier. If you authorize, Air Exchange, Inc. will pay for freight charges and invoice you, but you must include this provision in your purchase order to Air Exchange, Inc.